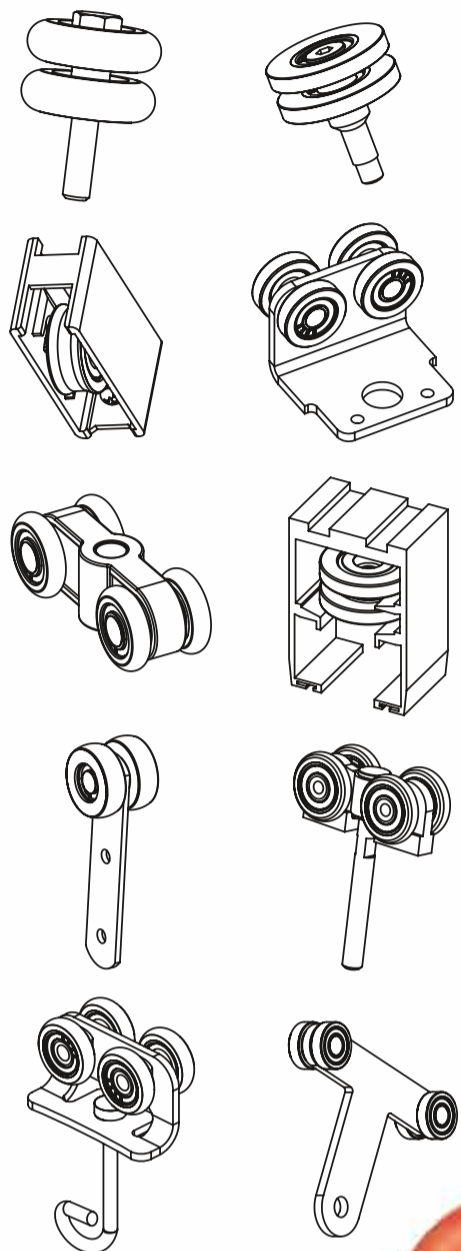


B. Ubera s/nº - APDO. 135
20570 BERGARA (SPAIN)
Tel: +34 943 762 753 - Fax: +34 943 763 453
ederexport@edersl.com edersl@edersl.com
www.edersl.com



The european specialist in special
custom-made bearings and sliding systems



Special custom-made bearings
and sliding systems manufacturer
since 1976

Our philosophy

Custom Design

Since more than 40 years, the EDER design office develops multiple special custom-made ball bearings and sliding systems matching specifications that standard products cannot meet.

Quality

EDER is ISO 9001-2008 certified, proving our high requirement level in quality management. Permanent control throughout the production process ensures maximum quality.

Choice

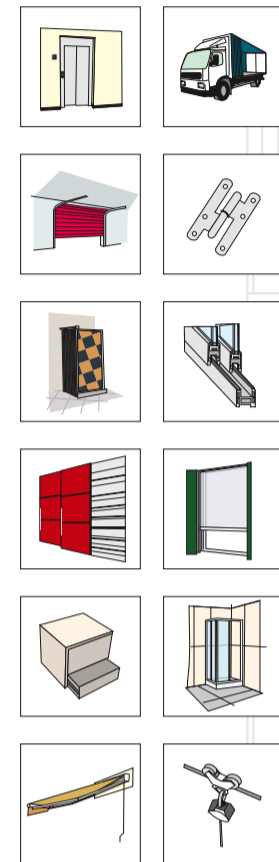
We offer a list of over 2500 references of custom-made bearings or sliding systems that meet both the technical and the environmental constraints of our customers' business fields.

International

We export our products within and outside the European Union. We are located close to the major European highways. Therefore, we can organize the goods transportation on our clients' behalf. Our national customer managers are at your service.



Our strengths



- Technical Office and study: Planning and custom design, 3D prototype manufacturing, test rigs, research and propose specific solutions.

- Manufacture of bearings, fittings, accessories and complete sliding systems. Different profiles and all kinds of screw systems in different materials, manufactured on the latest generation CNC machines. We also offer the possibility of assembly by riveting systems, press, etc... Complete solutions.

- Manufacture of injection, cutting and folding molds.

- Possibilities of fabrication:

Finish: Turning, grinding, etc...

Anti rust treatments: Zinc plated, Bichromated, etc...

Heat treatments: Quenching and Tempering, Vacuum heat treatment, etc...

Plastic coatings: PA, POM, PU, etc...

Materials: Carbon steel, Chrome steel, Stainles steel, Brass, Aluminium, etc...

Special ball bearings, needle bearings, angular contac bearings, axial bearings, etc...

- Dedicated and exclusive customer service : stocks, flexible deliveries, transportation management, mounting and riveting of (re) sliding elements.

- European and international export experience.

- Quality control throughout the entire production process.

