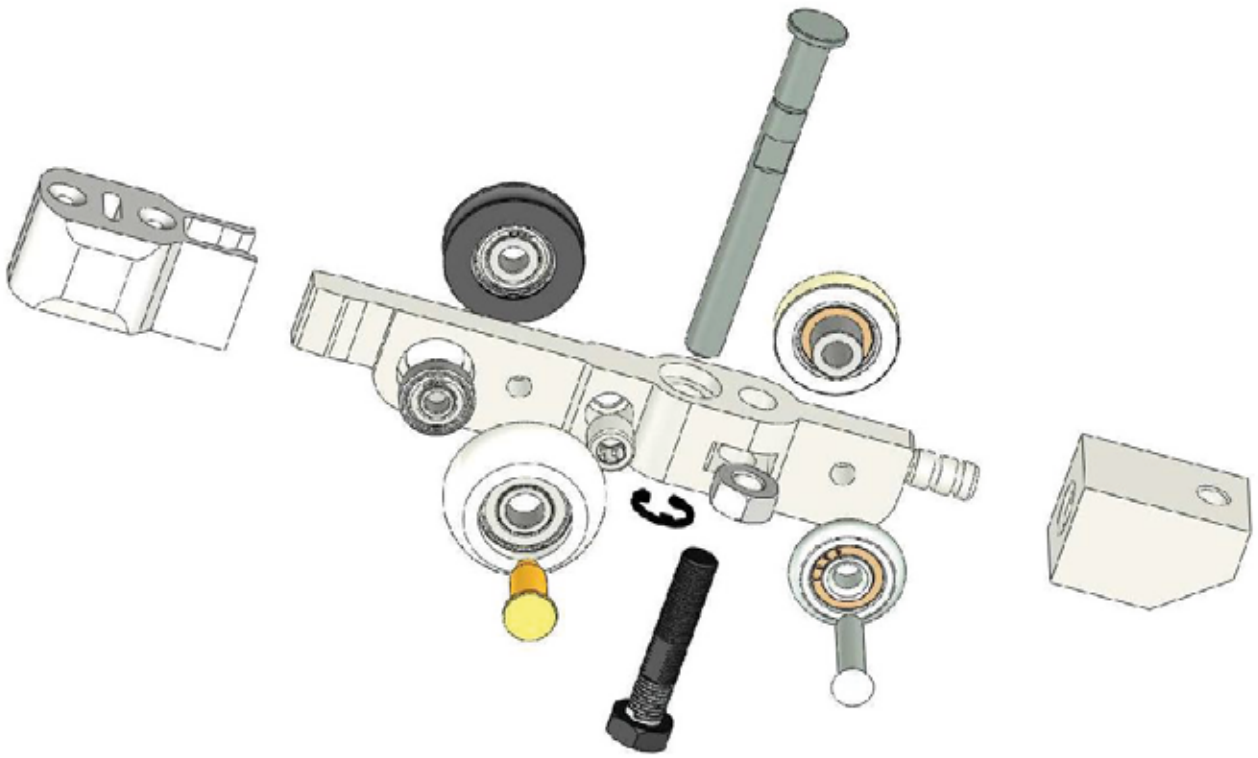




Indoor applications





- Shower doors
- Sliding doors
- Wardrobe doors
- Mobile partition walls
- Extensible tables
- Industrial or archive drawers
- Pharmacy metal drawers
- Display cabinets
- Sliding glass showcases
- Gym divider curtains
- Elevator doors
- etc...



B. Ubera s/nº - APDO. 135
 20570 BERGARA (SPAIN)
 Tel: +34 943 762 753 - Fax: +34 943 763 453
 ederexport@edersl.com edersl@edersl.com
 www.edersl.com